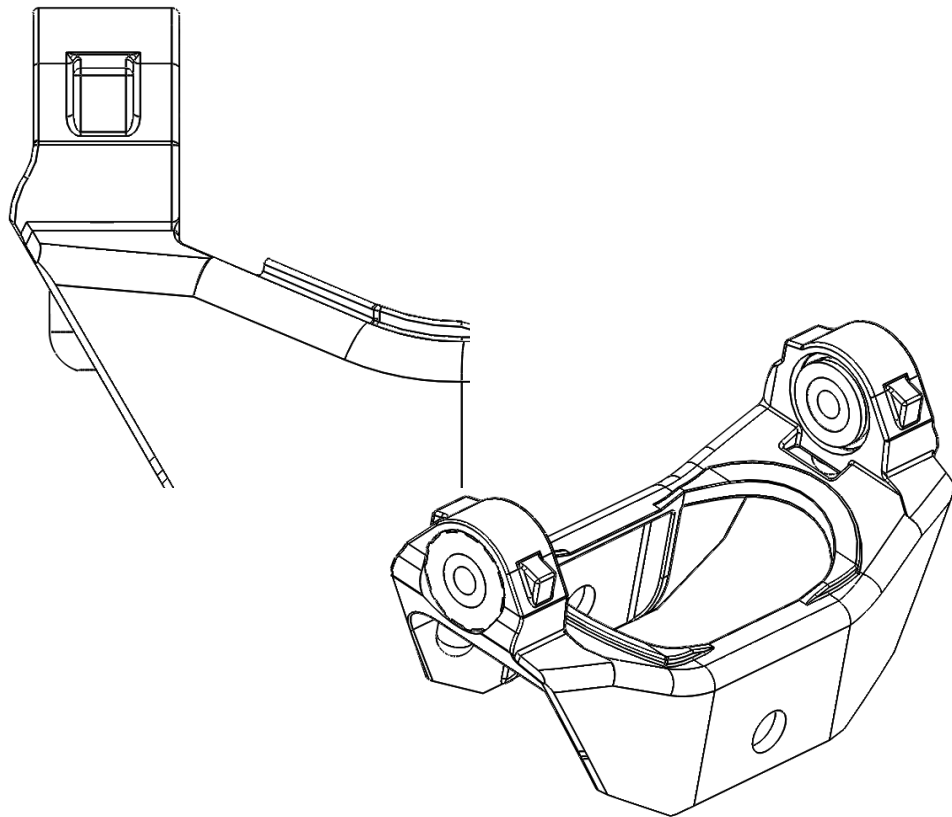
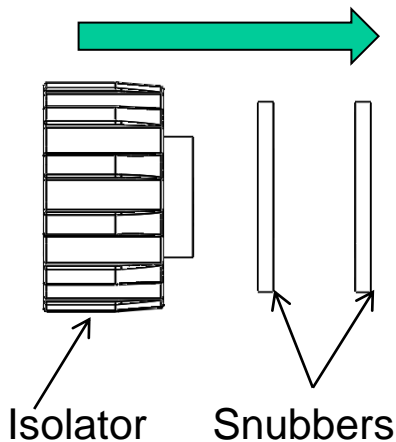


DEALER/INSTALLER:

- (1) Provide this Manual to end user.
- (2) Physically demonstrate hitching and unhitching procedures in this Manual to end user.
- (3) Have end user demonstrate that he/she understands procedures.

END USER:

- (1) Read and follow this Manual every time you use hitch.
- (2) Save this Manual and Hitch Warning Hang Tag for future reference.
- (3) Pass on copies of Manual and Hitch Warning Hang Tag to any other user or owner of hitch.
- (4) Never remove hitch warning decals as shown on the cover of this manual. If damaged, contact Reese (1-888-521-0510 or www.reeseprod.com) for free replacement.



1. Remove head assembly from crossmember and pivot beam (2 pivot pins & 2 klik pins) – retain for reinstallation
2. Push out the old isolators (yellow)
3. Apply white lithium grease to the outside edges of the orange isolators
4. Place the isolators in the pivot beam, using a rubber mallet drive the orange isolators into place.
5. The orange isolators should be flush with the outside edge of the pivot beam.
6. Re-assemble to the head pan assembly.

For Installation Assistance or Technical Help, Call 1-888-521-0510